



GENESIS | CCTV™
Vision with Integrity.

Product Manual

PTZ-PMB



www.GenesisCCTV.com

© 2013 Genesis CCTV™ | 6923 Narcoosee Rd. Unit 610 • Orlando, FL 32822 | O: 407.282.7786 | F: 407.282.7184



INSTALLATION **MANUAL**



GENESIS | CCTV™

PTZ-PMB



Important safeguards and Warnings

Prior to installation and use of this product, the following Warnings should be observed.

- Installation and servicing should only be done by qualified service personnel and conform to all local codes.
- Installation shall be done in accordance with all local and national electrical and mechanical codes utilizing only approved materials.
- Use only installation methods and materials capable of supporting four times the maximum specified load.
- Use stainless steel hardware to fasten the mount for outdoor surfaces
- To prevent damage from water leakage when installing a mount outdoor on a roof or wall, apply sealant around the bolt holes between the mount and mounting surface.

Please thoroughly familiarize yourself with the information in this manual prior to installation and operation.

Description

The PTZ-PMB and other optional mountings were designed for outdoor use with small – size pendant domes. This parapet bracket accommodates domes that use 1.5 inch NPT pipe.

The mounts are designed to swivel within available clearance limits, which adds to the flexibility easy maintenance, and usability of the configuration.

Manufactured from Stainless Still, the mounts include indexing bolts to secure the arm in position.

Installation

Before Starting

The hardware to install the mount depends on your installation requirements. The mount has pre drilled holes for use with 3/8-16 type hardware. (This hardware is not included with the mount).

Use as many of the mounting holes as possible. Genesis CCTV, recommends 3/8-16 type fastening hardware. Multiple fastening positions facilitate mounting flexibility.

For PTZ-PMB, mount using a minimum of three fasteners on each side of the mounting plate. If Necessary to prevent damage from water leakage, you should also have sealant (not supplied) to apply around the holes between the mount and mounting surface.

Models

PTZ-PMB	Parapet mount for small size pendant domes; mounts to inside or outside of parapet.
Xxx-xxx	Optional bracket for Corner mount application.
Xxx-xxx	Optional bracket for Rooftop mount

Installing the mount

1. Loosen the nuts holding the brake mounting plate. Loosen the nuts only enough to pull the arm out of the guide hoops. (see Figure 1)
2. Remove the arm
3. Install the mount

PTZ-PMB

Install the mounting plate to the inside or the outside of the parapet. Use a minimum of three fasteners on each side of the mounting plate.

Depending on the type of parapet construction, install the mounting plate as close to the top of the parapet as possible. If the mounting plate is installed two to five inches from the top of the parapet, you can swing the dome back for maintenance as necessary (the dome will clear the top of the parapet). If necessary to prevent water damage, apply sealant around the bolt holes between the mount and mounting surface.

xxx-xxx

Install two corner mount adapter to basic mounting plate.

xxx-xxx

Install two mounting adapter to basic mounting plate.

Install the mounting base to the rooftop or other smooth horizontal surface. Use a minimum of two fasteners on each of the four sides of the mounting base (a minimum total of weight fasteners). If necessary to prevent water damage, apply sealant around the bolt holes between the mount and mounting surface.

4. Reinstall the arm; lower the arm through the guide hoops until it stops at the bottom of the mounting plate.
5. Pull the wires through the arm starting from the bottom of the mounting plate; pull the wires out through the threaded opening at the top of the arm.
6. Pull the wires through the dome, and attach the dome to the end of the arm.
7. Make all electrical connections.
8. Move the arm and dome into the desired position.
9. Secure the brake mounting plate against the tighten the nuts on the studs that hold the brake mounting plate in place.
10. To hold the arm in position, tighten the indexing bolts near the center of the brake mounting plate. If desired, drill into the arm through the holes in the brake mounting plate, install the indexing bolts, and tighten.

Important.. Do not drill into existing wiring that may be pulled through the arm.

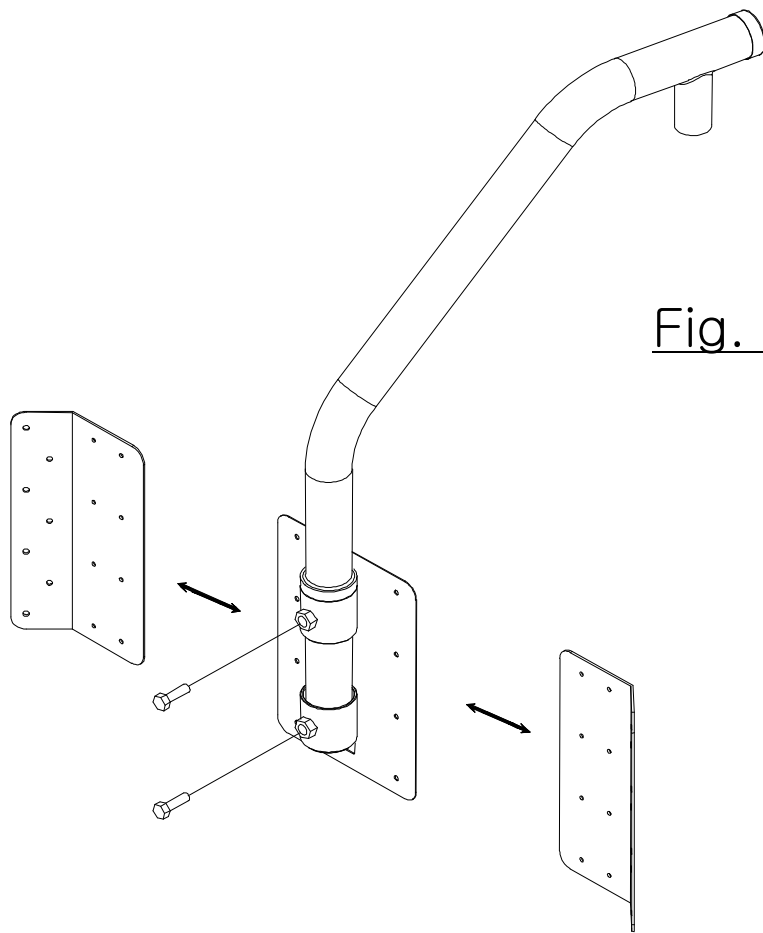


Fig. 1

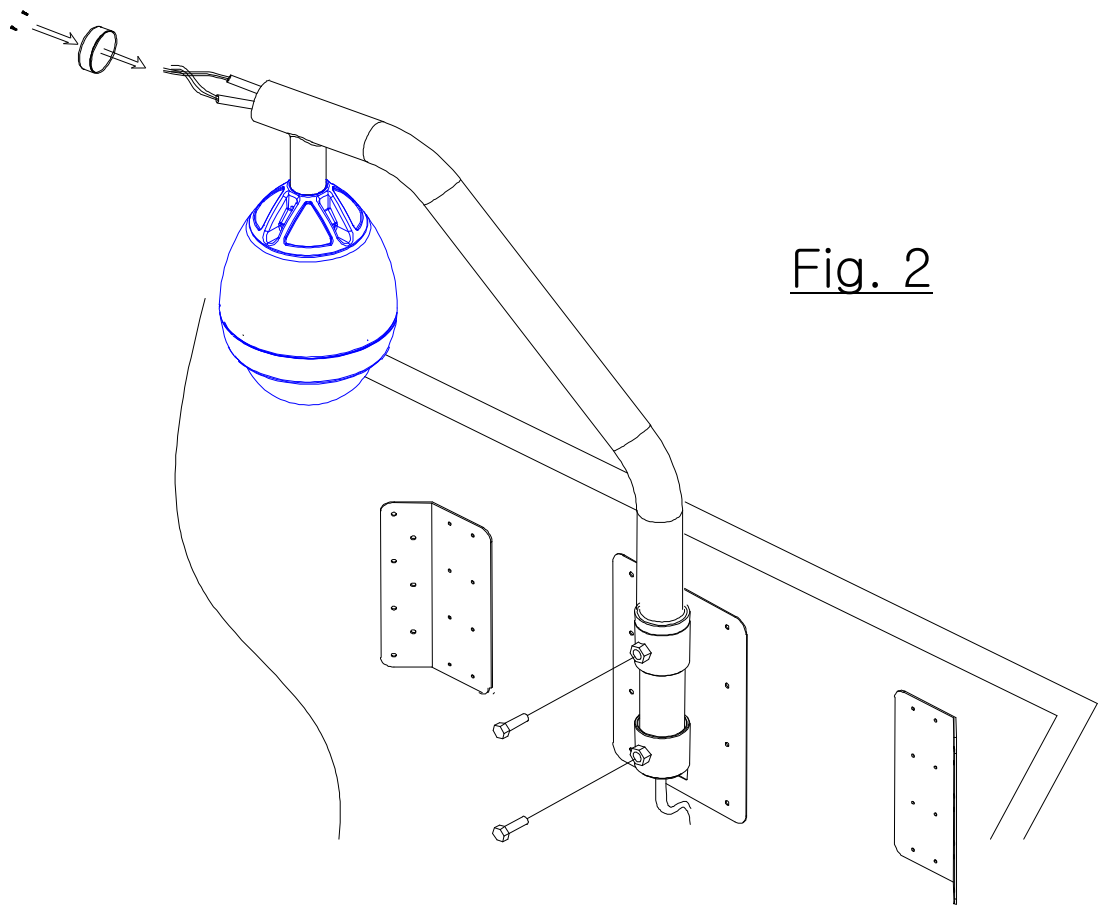


Fig. 2

Specifications.

Material: Stainless steel

Mounting method:

Maximum Load:

Dimensions:

Finish:

Weight :

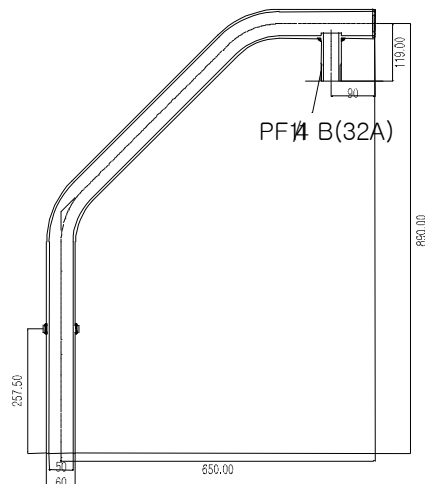
PTZ-PMB

Xxx-xxx

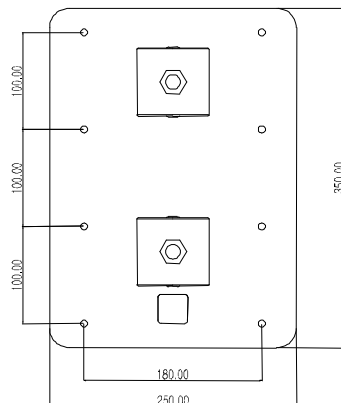
Xxx-xxx

(Design and product specifications subject to change without notice.)

Arm



Mount Plate



Corner Mount Bracket

