



- 1/4" 1Megapixel progressive scan CMOS
- H.264 & MJPEG dual-stream encoding
- Max 25/30fps@720P(1280x 720)
- DWDR, Day/Night(ICR), 3DNR, AWB, AGC, BLC
- Multiple network monitoring: Web viewer, CMS & DMSS
- 3.6mm fixed lens
- Max. IR LEDs Length 30m
- IP66, PoE

General Specifications

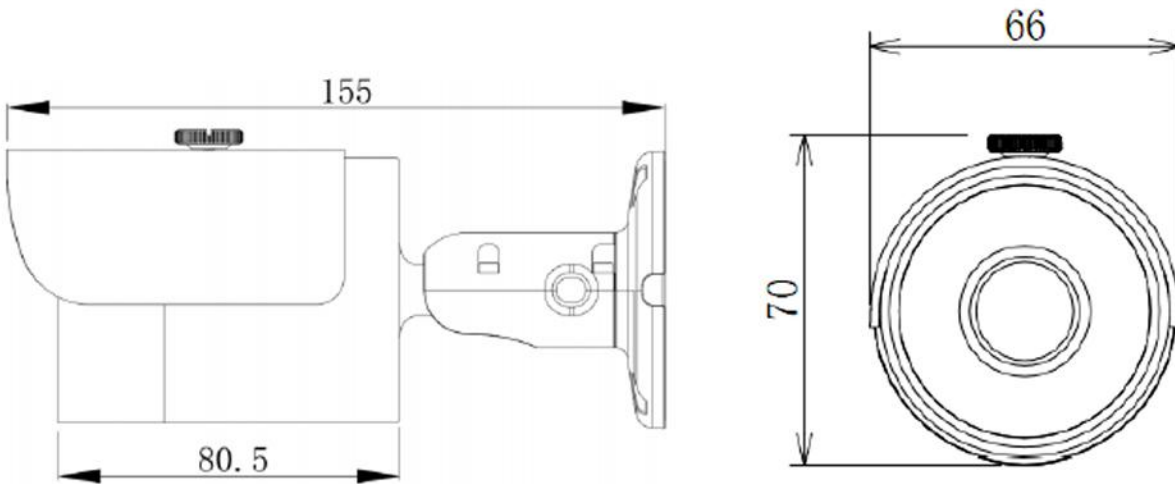
Model	IPWPB-1MPIR
Camera	
Image Sensor	1/4" 1Megapixel progressive scan CMOS
Effective Pixels	1280(H)x720(V)
Scanning System	Progressive
Electronic Shutter Speed	Auto/Manual 1/3(4)~1/10000
Min. Illumination	Color: 0.1Lux/F1.2, B/W: 0.01Lux/F1.2; 0Lux/F1.2(IR's On)
S/N Ratio	More than 50dB
Video Output	N/A
Camera Features	
Max. IR LEDs Length	30m
Day/Night	Auto(ICR) / Color / B/W
Backlight Compensation	BLC /HLC /DWDR
White Balance	Auto/Manual
Gain Control	Auto/Manual
Noise Reduction	3D
Privacy Masking	Up to 4 areas
Lens	
Focal Length	3.6mm
Max Aperture	F1.8 (F1.8)
Focus Control	Manual
Angle of View	H:63.5/40
Lens Type	Fixed lens
Mount Type	Board-in Type



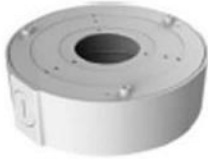



Video		
Compression	H.264/MJPEG	
Resolution	720P(1280×720)/D1(704×576/704×480) /CIF(352×288/352×240)	
Frame Rate	Main Stream	720P(1 ~ 25/30fps)
	Sub Stream	D1/CIF(1 ~ 25/30fps)
Bit Rate	H.264: 56K-8Mbps	
Audio		
Compression	N/A	
Interface	N/A	
Network		
Ethernet	RJ-45 (10/100Base-T)	
Wi-Fi	N/A	
Protocol	IPv4/IPv6, HTTP, HTTPS, TCP/IP, UDP, UPnP, ICMP, IGMP, RTSP, RTP, SMTP, NTP, DHCP, DNS, PPPOE, DDNS, FTP, IP Filter, QoS	
Compatibility	ONVIF, CGI	
Max. User Access	20 users	
Smart Phone	iPhone, iPad, Android, Windows Phone	
Auxiliary Interface		
Memory Slot	N/A	
RS485	N/A	
Alarm	N/A	
PIR Sensor Range	N/A	
General		
Power Supply	DC12V, PoE (802.3af)	
Power Consumption	Max 4.5W	
Working Environment	-30°C~+60°C, Less than 95%RH	
Ingress Protection	IP66	
Vandal Resistance	N/A	
Dimensions	Φ113.6mm x 85.8mm	
Weight	0.29Kg	



Dimensions (mm)



Accessory (optional)

			
WPB-RBB	WPB-WMB	WPB-PMA	WPB-CMA